

BZGI-2RN

M

DRAWING NUMBER

7

ISSUE

3

REPLACES

RELEASE NO. PR-1341

CHECK

REVISIONS

| | | | |
|---|------------|-------|-----------|
| A | CO27253 | M B S | 14 APR 70 |
| B | PR-1341 | R E R | 17 JUL 70 |
| C | CO37675 | K P K | 23 SEP 76 |
| D | CO67624 | S L B | 18 JUN 90 |
| E | CO72977 | G J W | 8 AUG 92 |
| F | CO-77179-C | MAM | 12 MAR 94 |

CHECK

SMAR70

CHECK

SMAR70

CHECK

SMAR70

CHECK

SMAR70

CHECK

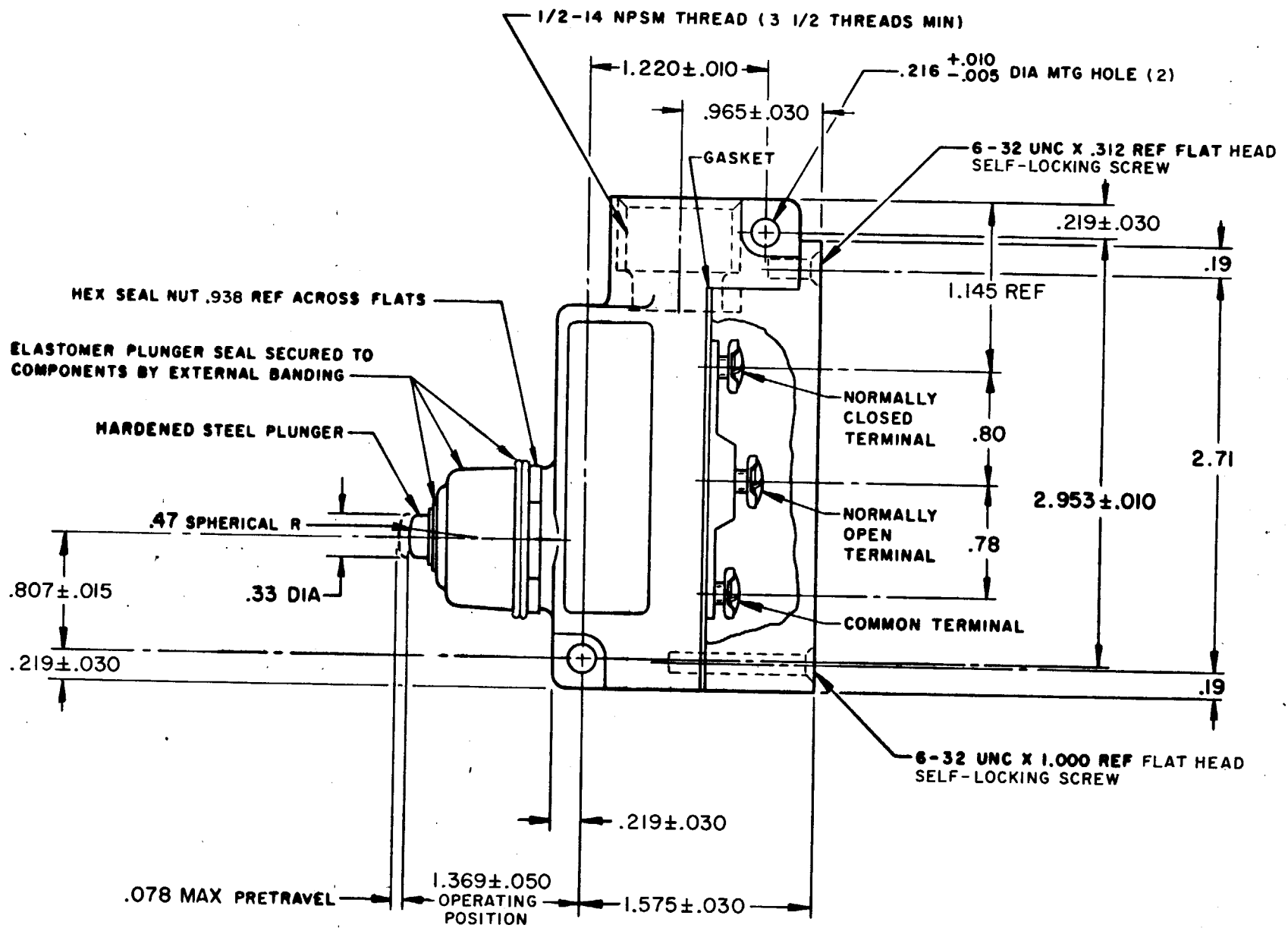
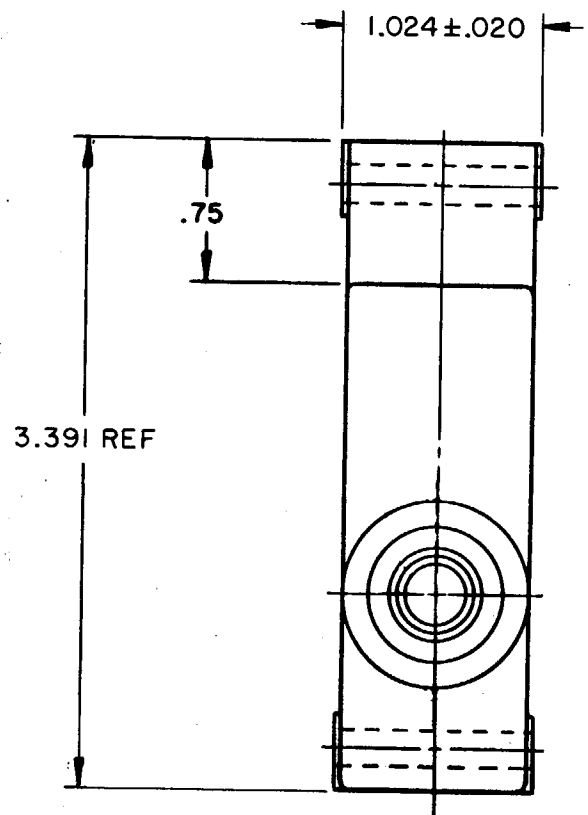
SMAR70

CHECK

SMAR70

CHECK

SMAR70



THIS DRAWING COVERS A PROPRIETARY ITEM AND IS THE PROPERTY OF MICRO SWITCH, A DIVISION OF MINNEAPOLIS-HONEYWELL REGULATOR CO. THIS DRAWING IS NOT TO BE COPIED OR USED WITHOUT THE APPROVAL OF MICRO SWITCH.

| CHARACTERISTICS | ELECTRICAL DATA | SCALE FULL |
|--|--|---|
| OPERATING FORCE-----9-24 OZ | CONTACT ARRANGEMENT S P D T | DO NOT SCALE PRINT |
| RELEASE FORCE-----4 OZ MIN | 15A-125, 250 OR 480 VAC, 2A-600 VAC 1/8HP-125 VAC; 1/4HP-250 VAC CODE L74 1/2A-125 VDC; 1/4A-250 VDC RJ | UNLESS OTHERWISE NOTED |
| DIFFERENTIAL TRAVEL-----.002 MAX | | DIMENSIONS ARE IN INCHES |
| OVERTRAVEL-----.219 MIN | | TOLERANCES ARE: |
| SWITCH-BASIC REPLACEMENT ----BZ-2RN770 | | ONE PLACE (.0) ±.030 TWO PLACE (.00) ±.015 THREE PLACE (.000) ±.008 ANGLES ± |
| | WEIGHT | |

NOTE -
 1 - 6-32 UNC X .219 REF BINDING HEAD TERMINAL SCREW AND CUPWASHER (3)

79-89378-003

DRAWN
 O M W
 25 FEB 70

CHECK
 D A W
 25 FEB 70

CHECK
 S M A R 7 0

CHECK
 S M A R 7 0

CHECK
 S M A R 7 0